



# Standard Specifications

## RS010L-A

1st ed. 18-Feb-15  
2nd ed. 25-May-18  
3rd ed. 12-Oct-20

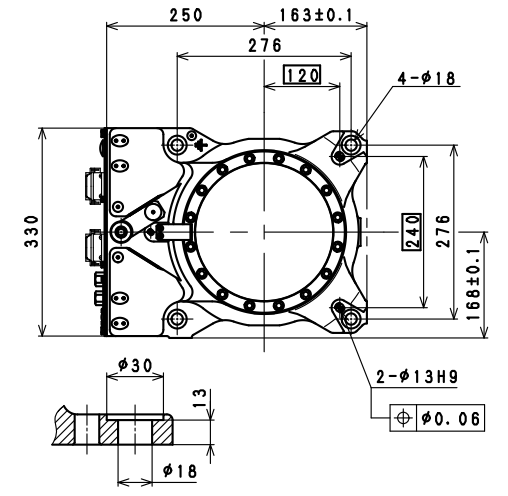
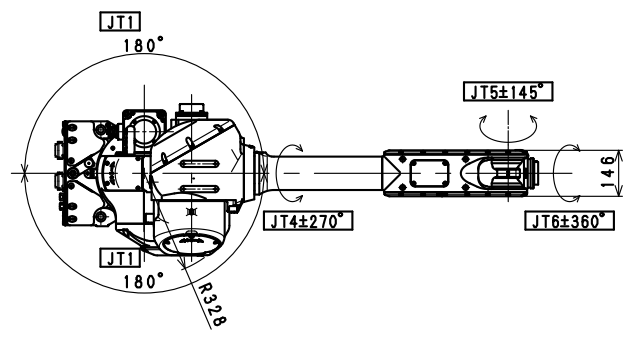
Kawasaki Heavy Industries, Ltd.  
Robot Business Division

Specification number : 90151-0047DEC

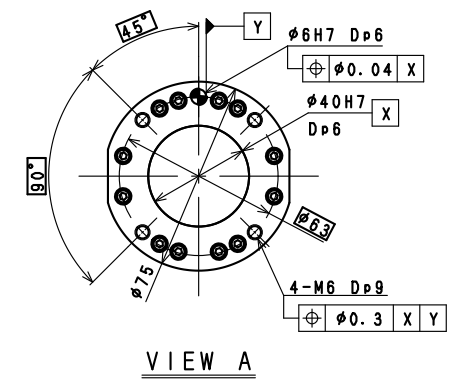
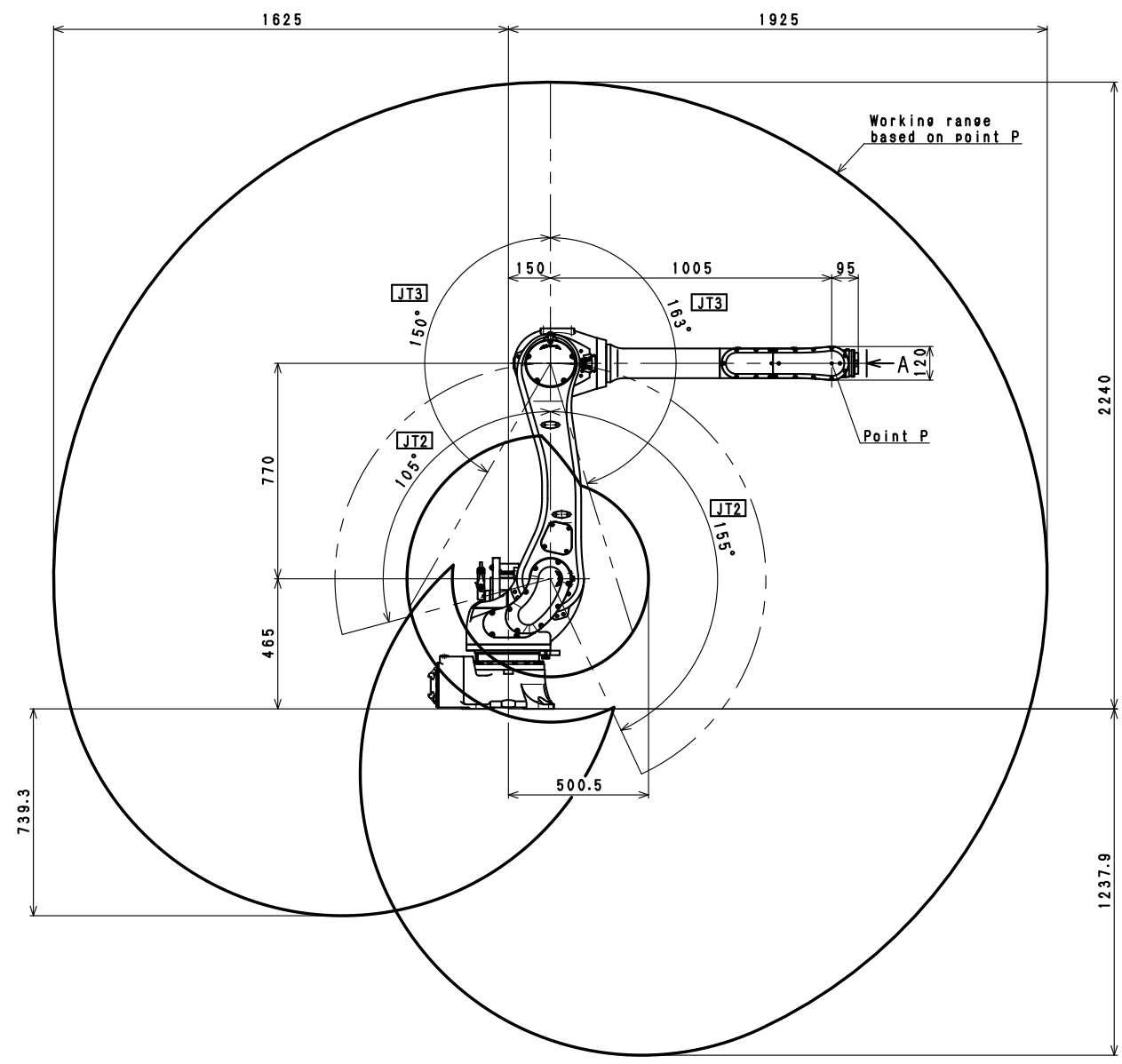
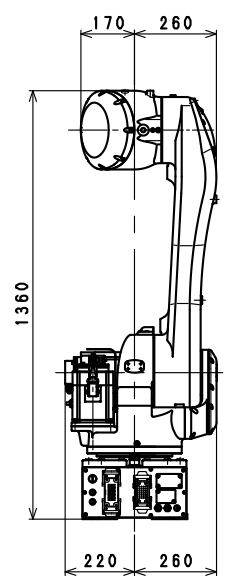
## Robot specifications

1. Model	RS010L-A																							
2. Type	Articulated robot																							
3. Degree of freedom	6 axes																							
4. Max. payload	10 kg																							
5. Max. reach	1,925 mm																							
6. Position repeatability	±0.05 mm (wrist flange surface) conforms to ISO 9283																							
7. Axis specification	<table border="1"> <thead> <tr> <th>Operating axis</th> <th>Motion range</th> <th>Max. speed</th> </tr> </thead> <tbody> <tr> <td>Arm rotation (JT1)</td> <td>±180 °</td> <td>190 °/s</td> </tr> <tr> <td>Arm out-in (JT2)</td> <td>+155 ° - -105 °</td> <td>205 °/s</td> </tr> <tr> <td>Arm up-down (JT3)</td> <td>+150 ° - -163 °</td> <td>210 °/s</td> </tr> <tr> <td>Wrist swivel (JT4)</td> <td>±270 °</td> <td>400 °/s</td> </tr> <tr> <td>Wrist bend (JT5)</td> <td>±145 °</td> <td>360 °/s</td> </tr> <tr> <td>Wrist twist (JT6)</td> <td>±360 °</td> <td>610 °/s</td> </tr> </tbody> </table>		Operating axis	Motion range	Max. speed	Arm rotation (JT1)	±180 °	190 °/s	Arm out-in (JT2)	+155 ° - -105 °	205 °/s	Arm up-down (JT3)	+150 ° - -163 °	210 °/s	Wrist swivel (JT4)	±270 °	400 °/s	Wrist bend (JT5)	±145 °	360 °/s	Wrist twist (JT6)	±360 °	610 °/s	
Operating axis	Motion range	Max. speed																						
Arm rotation (JT1)	±180 °	190 °/s																						
Arm out-in (JT2)	+155 ° - -105 °	205 °/s																						
Arm up-down (JT3)	+150 ° - -163 °	210 °/s																						
Wrist swivel (JT4)	±270 °	400 °/s																						
Wrist bend (JT5)	±145 °	360 °/s																						
Wrist twist (JT6)	±360 °	610 °/s																						
8. Load capacity of wrist	<table border="1"> <thead> <tr> <th></th> <th>Max. torque</th> <th>Moment of inertia*</th> </tr> </thead> <tbody> <tr> <td>JT4</td> <td>22 N·m</td> <td>0.7 kg·m<sup>2</sup></td> </tr> <tr> <td>JT5</td> <td>22 N·m</td> <td>0.7 kg·m<sup>2</sup></td> </tr> <tr> <td>JT6</td> <td>10 N·m</td> <td>0.2 kg·m<sup>2</sup></td> </tr> </tbody> </table> <p>Note* Each value in this table shows allowable moment of inertia of JT4/JT5/JT6 when max. allowed torque is applied to each axis. If more detailed data is required for your application, please contact Kawasaki.</p>			Max. torque	Moment of inertia*	JT4	22 N·m	0.7 kg·m <sup>2</sup>	JT5	22 N·m	0.7 kg·m <sup>2</sup>	JT6	10 N·m	0.2 kg·m <sup>2</sup>										
	Max. torque	Moment of inertia*																						
JT4	22 N·m	0.7 kg·m <sup>2</sup>																						
JT5	22 N·m	0.7 kg·m <sup>2</sup>																						
JT6	10 N·m	0.2 kg·m <sup>2</sup>																						
9. Mass	230 kg (without options)																							
10. Mounting	Floor or Ceiling mounting																							
11. Installation Environment	Ambient Temperature: 0 - 45 °C Relative Humidity: 35 - 85 % (with no dew condensation)																							
12. Color	Munsell 10GY9/1 equivalent																							
13. Degree of protection	Wrist: IP67 equivalent, Arm: IP65 equivalent																							
14. Built-in utilities	Pneumatic piping (φ8 × 2 lines )																							
15. Options	<table border="1"> <tbody> <tr> <td>Mounting</td> <td>Wall mounting</td> </tr> <tr> <td>Degree of protection</td> <td>Arm: IP67 equivalent</td> </tr> <tr> <td>Sensor harness</td> <td>12 circuits, wired inside robot arm</td> </tr> <tr> <td>Solenoid valve</td> <td>Double solenoid / Single solenoid valves (4 units max.)</td> </tr> <tr> <td>Air cleaning</td> <td>Filter, Regulator, Mist separator</td> </tr> <tr> <td>Mechanical stopper</td> <td>Adjustable stoppers JT1/JT2/JT3</td> </tr> <tr> <td>Color</td> <td></td> </tr> <tr> <td>Installation stand</td> <td>300 mm, 600 mm height</td> </tr> <tr> <td>Base plate</td> <td>750 mm × 750 mm</td> </tr> <tr> <td></td> <td></td> </tr> <tr> <td></td> <td></td> </tr> </tbody> </table>		Mounting	Wall mounting	Degree of protection	Arm: IP67 equivalent	Sensor harness	12 circuits, wired inside robot arm	Solenoid valve	Double solenoid / Single solenoid valves (4 units max.)	Air cleaning	Filter, Regulator, Mist separator	Mechanical stopper	Adjustable stoppers JT1/JT2/JT3	Color		Installation stand	300 mm, 600 mm height	Base plate	750 mm × 750 mm				
Mounting	Wall mounting																							
Degree of protection	Arm: IP67 equivalent																							
Sensor harness	12 circuits, wired inside robot arm																							
Solenoid valve	Double solenoid / Single solenoid valves (4 units max.)																							
Air cleaning	Filter, Regulator, Mist separator																							
Mechanical stopper	Adjustable stoppers JT1/JT2/JT3																							
Color																								
Installation stand	300 mm, 600 mm height																							
Base plate	750 mm × 750 mm																							

Consult Kawasaki about maintenance parts and spare parts.



Installation Dimensions



RS010L  
WORKING RANGE